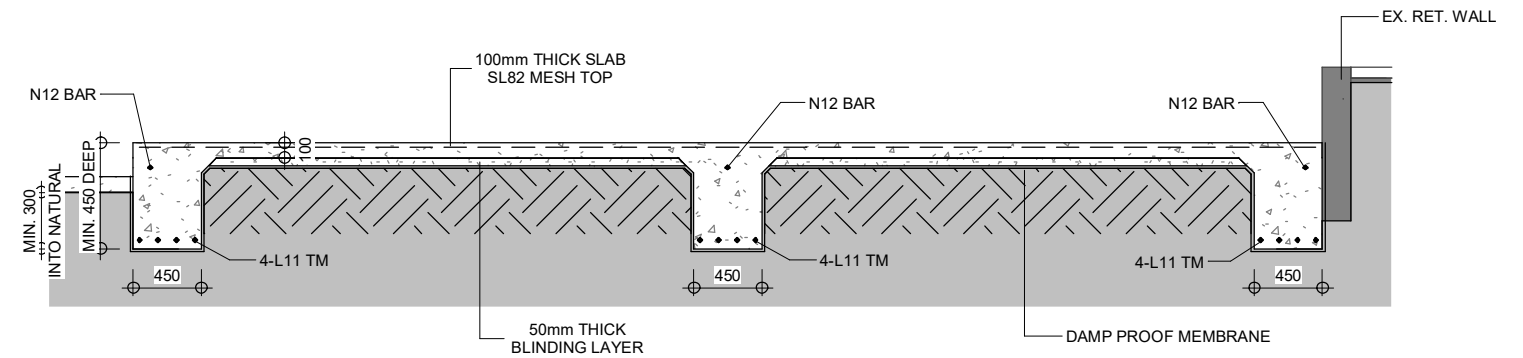


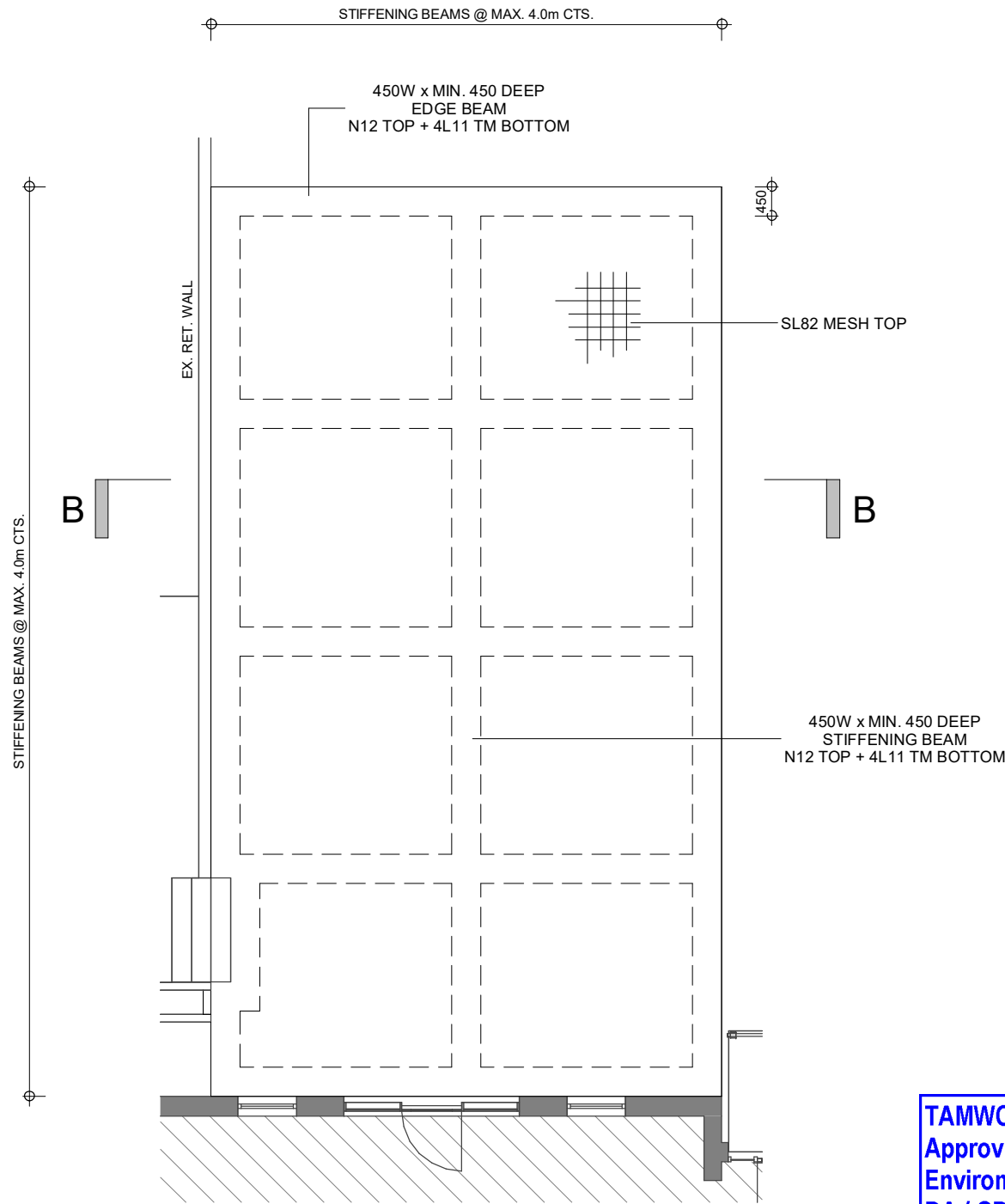


Scat
08/06/2024



SLAB SECTION - B

1 : 50



SLAB PLAN

1 : 100

TAMWORTH REGIONAL COUNCIL
Approved in accordance with the provisions of the Environmental Planning Assessment Act 1979 DA / CDC / CC No:CC2024-0106 (CFT-545489)

Registered Certifier: Stephanie Walsh
Registration No: BDC04632
NSW Fair Trading
Date: 16/07/2024

STRUCTURAL ENGINEERS DETAILS:

Name:

Position:

Signed: